

PW150 系列 / PW150 Series

《產品介紹 note》：

產品編碼 Code No.	倍比 Ratio	輸出壓力 Outlet Pressure(PH*)	吐出量(往返一次) Fluid volume for cycle (L/cycle)	耗氣量(往返一次) Consumption for cycle (L/cycle)
PW150002T	2:1	1Pd+Ps	17.58	(3.529xPd+3.645)/1.033
PW150003T	3:1	2Pd+Ps	9.88	
PW150004T	4:1	3Pd+Ps	6.32	
PW150005T	5:1	4Pd+Ps	4.38	
PW150008T	8:1	7Pd+Ps	2.79	
PW150009	9:1	8Pd+Ps	2.20	
PW150014	14:1	13Pd+Ps	1.41	
PW150015T	15:1	14Pd+Ps	1.56	
PW150025	25:1	24Pd+Ps	0.74	

* PH= Outlet Pressure / ** PD= Driven Pressure / *** PS = Supply Pressure / Pressure Ratio=PH/PD / signal pressure≥ Pd pressure

附註：設定驅動壓(PD) = 6 kg/cm², 被壓縮壓(PS) = 6 kg/cm² 壓力時,則『每分鐘 PH 輸出量』及『驅動壓(PD)往返一次耗氣量』所得到的數值如表格內所載明。

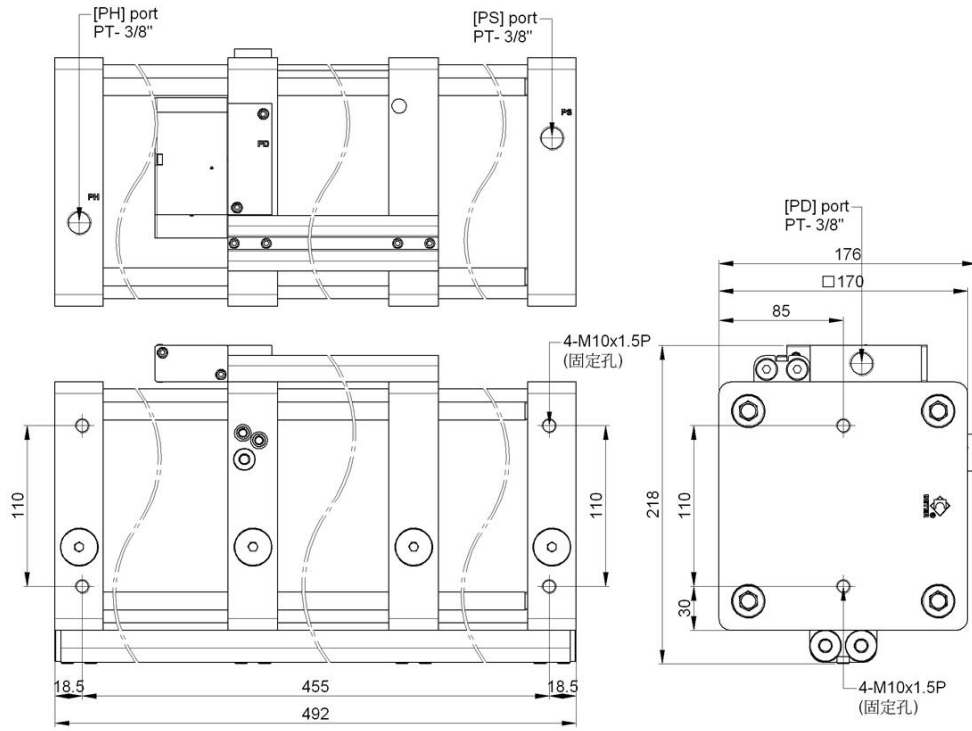
Note :If Driven Pressure (PD) is 6 kg/cm², Supply Pressure (PS) is 6 kg/cm² pressure, the『Per minute PH of output』and『Driven pressure consumption by cycle』the resulting values in the form described.

舉例:當氣體增壓泵浦規格為 PW150002T,在 PD=6 kg/cm² 且 PS=6 kg/cm² 的壓力時,則『每分鐘 PH 輸出量』所得之計算數值為:758 l/min;另外『驅動壓(PD)往返一次耗氣量』所得之計算數值為 24.03L

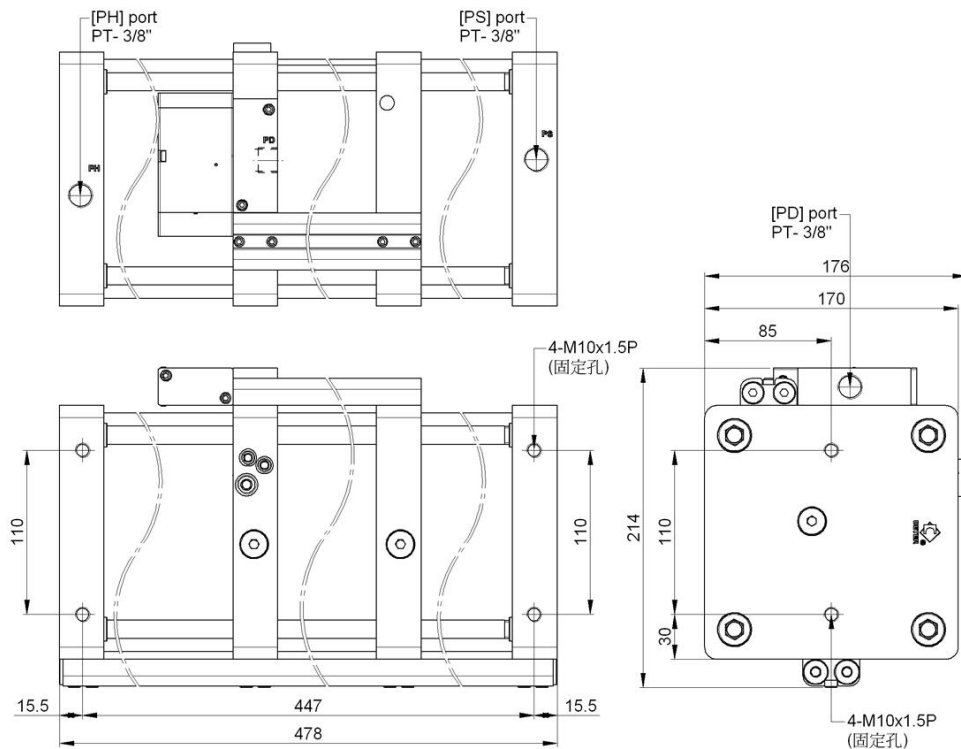
For example: When High Pressure Gas Booster specifications for PW150002T, in the PD is 6 kg/cm² and PS is 6 kg/cm² pressure, the『Per minute PH of output』of calculated values are: 758 l/min; Additionally『Driven pressure consumption by cycle』of calculated values to 24.03L.

外觀尺寸 Dimensional Features(單位:mm)

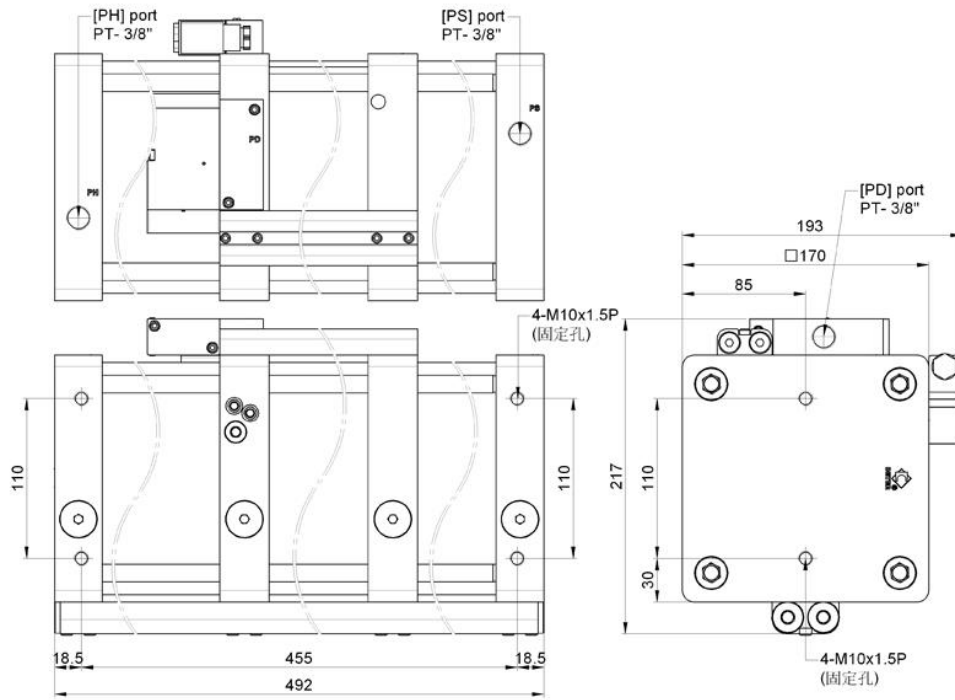
PW150002/PW150002T/PW150003T/PW150004/PW150004T(氣動起動)



150005T/PW150008T/PW150009/PW150014/PW150015T/PW150025 系列(氣動起動)



PW150002E/PW150002TE/PW150003TE/PW150004E/PW150004TE(電磁閥起動)



PW15005TE/PW15008TE/PW15009E/PW150014E/PW150015TE/PW150025E(電磁閥起動)

