

DPW100 系列 / DPW100 Series

《產品介紹 note》：

| 產品編碼 Code No. | 倍比 Ratio | 輸出壓力 Outlet Pressure(Ph*) | 吐出量(往返一次) Fluid volume for cycle (L/cycle) | 耗氣量(往返一次) Consumption for cycle (L/cycle) |
|------------------|-------------|---------------------------------|---|---|
| DPW100002 | 2:1 | 1Pd**+Ps*** | 8.8 | (1.602xPd+1.655)/1.033 |
| DPW100004 | 4:1 | 3Pd+Ps | 2.24 | |
| DPW100006 | 6:1 | 5Pd+Ps | 1.43 | |
| DPW100011 | 11:1 | 10Pd+Ps | 0.8 | |

* PH= Outlet Pressure / ** PD= Driven Pressure / *** PS = Supply Pressure / Pressure Ratio=PH/PD / signal pressure ≥ Pd pressure

附註：設定驅動壓(PD) = 6 kg/cm², 被壓縮壓(PS) = 6 kg/cm² 壓力時,則『每分鐘 PH 輸出量』及『驅動壓(PD)往返一次耗氣量』所得到的數值如表格內所載明。

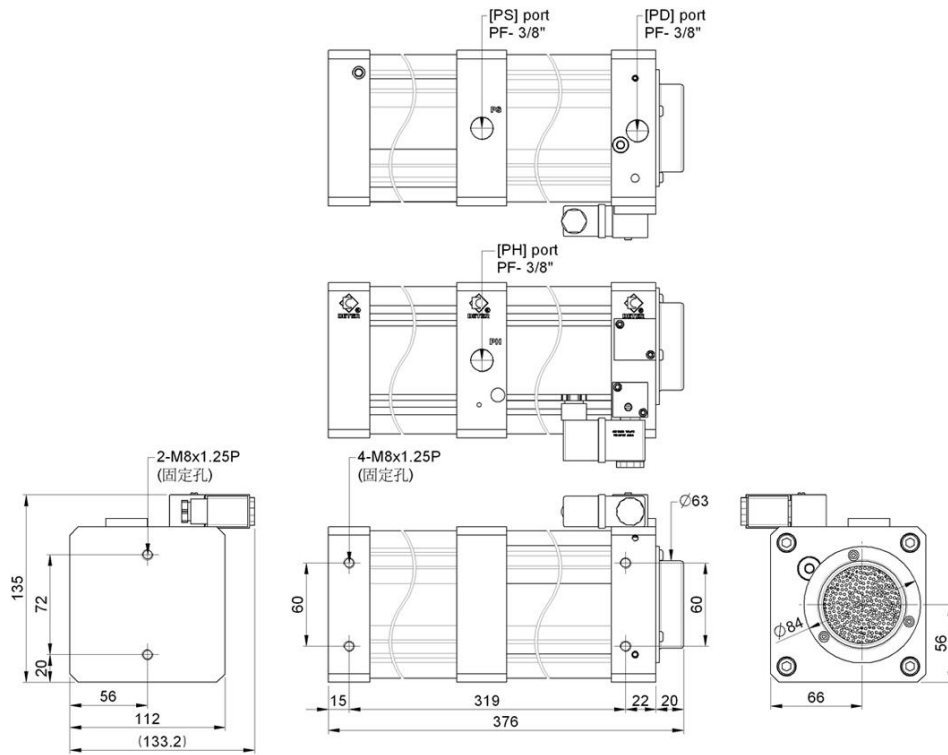
Note :If Driven Pressure (PD) is 6 kg/cm², Supply Pressure (PS) is 6 kg/cm² pressure, the『Per minute PH of output』and『Driven pressure consumption by cycle』the resulting values in the form described.

舉例:當氣體增壓泵浦規格為 DPW100004,在 PD=6 kg/cm² 且 PS=6 kg/cm² 的壓力時,則『每分鐘 PH 輸出量』所得之計算數值為:126 l/min;另外『驅動壓(PD)往返一次耗氣量』所得之計算數值為 10.8L

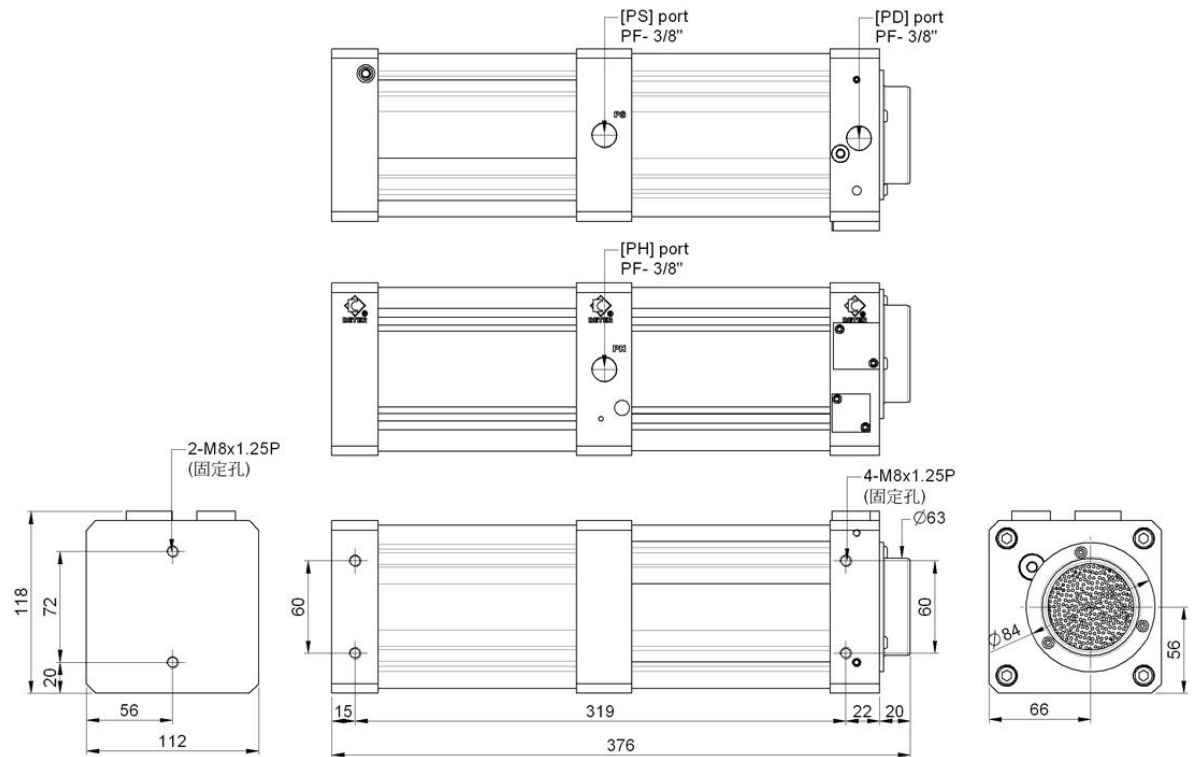
For example: When High Pressure Gas Booster specifications for DPW100004, in the PD is 6 kg/cm² and PS is 6 kg/cm² pressure, the『Per minute PH of output』of calculated values are: 126 l/min; Additionally『Driven pressure consumption by cycle』calculated values to 10.8L.

外觀尺寸 Dimensional Features(單位:mm)

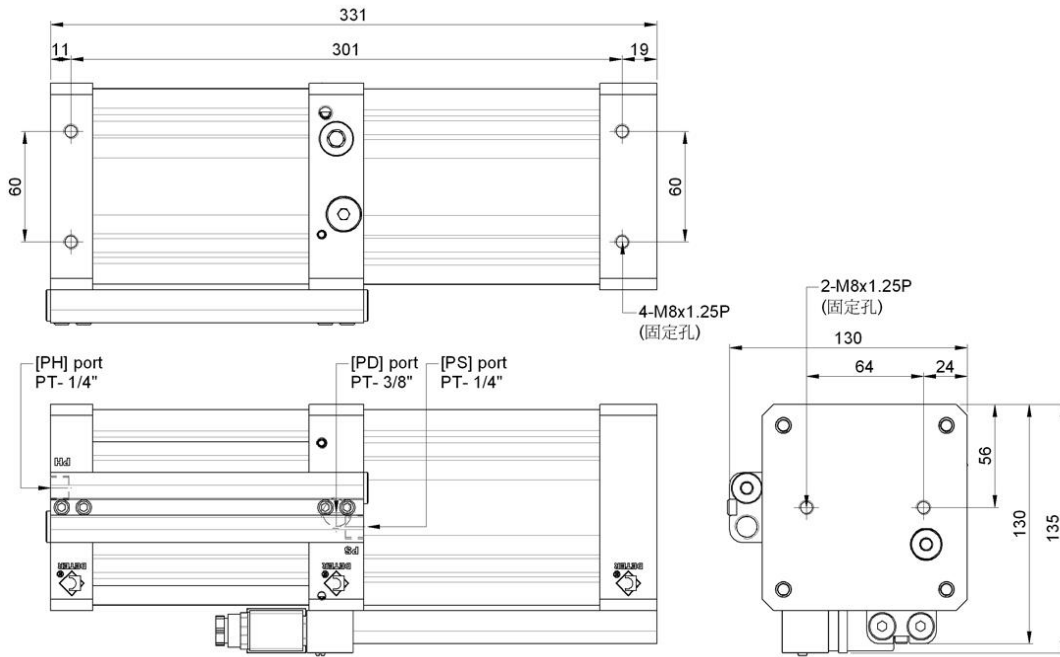
DPW100002E 系列(電磁閥起動)



DPW100002 系列(氣動起動)



DPW100004E/DPW100006E/DPW100011E(電磁閥起動)



DPW100004/DPW100006 /DPW100011 系列(氣動起動)

