



aerospace  
climate control  
electromechanical  
filtration  
fluid & gas handling  
hydraulics  
pneumatics  
process control  
sealing & shielding



# Parker P K Series Pressure Switch

Catalog OS-1, May 2011



ENGINEERING YOUR SUCCESS.

The PK series pressure switch is designed for refrigeration and air conditioning system product applications, for general or high-low control limit requirements.

Features of PK series:

- Standard product for Freon, air, liquid and other non-corrosive media. Product can also be used for special ammonia refrigerant applications.
- Fluid temperature allowance -10°C ~ 100°C.
- SPDT (Single Pole Double Throw) contact to ensure reliable conversion.
- Standard model products consist of copper bellows and brass pressure interface. Ammonia refrigerant based products include stainless steel bellows and stainless steel pressure interface – please notify this before ordering.
- Standard international mounting bracket provided, and can be installed in any system position.
- Vibration resistance.
- CE marked.

### Specification – Single Pressure

Model	Pressure Range (bar)		Pressure Diff. (bar)		Factory Setting (bar)		Max. Bellows Pressure (bar)
	Min.	Max.	Min.	Max.	OFF	ON	
<b>PK502</b>	-0.5	2	0.20	0.7	1	0.5	16.5
<b>PK503</b>	-0.5	3	0.35	1.5	2	1	16.5
<b>PK506</b>	-0.5	6	0.6	4	3	2	16.5
<b>PK506M</b>	-0.5	6	≤ 1		3	Manual Reset	16.5
<b>PK110</b>	1	10	1	3	6	5	16.5
<b>PK516</b>	5	16	2	5	10	8	33
<b>PK520</b>	5	20	2	5	16	14	33
<b>PK530D</b>	5	30	3	10	20	15	33
<b>PK530</b>	8	30	3 ~ 5		20	15~17	33
<b>PK530M</b>	8	30	≤ 5		20	Manual Reset	33

Note:

1. Pressure range could be changed in “Psig”, “MPa”, according to customer’s request.
2. 1/4” flare connection is standard, if any customized connection required, please add “E” to the end of model as SAE type connection, add “C” as solder connection, or “S” as capillary tube connection.
3. For ammonia system application, please add “B” to the end of the model number.

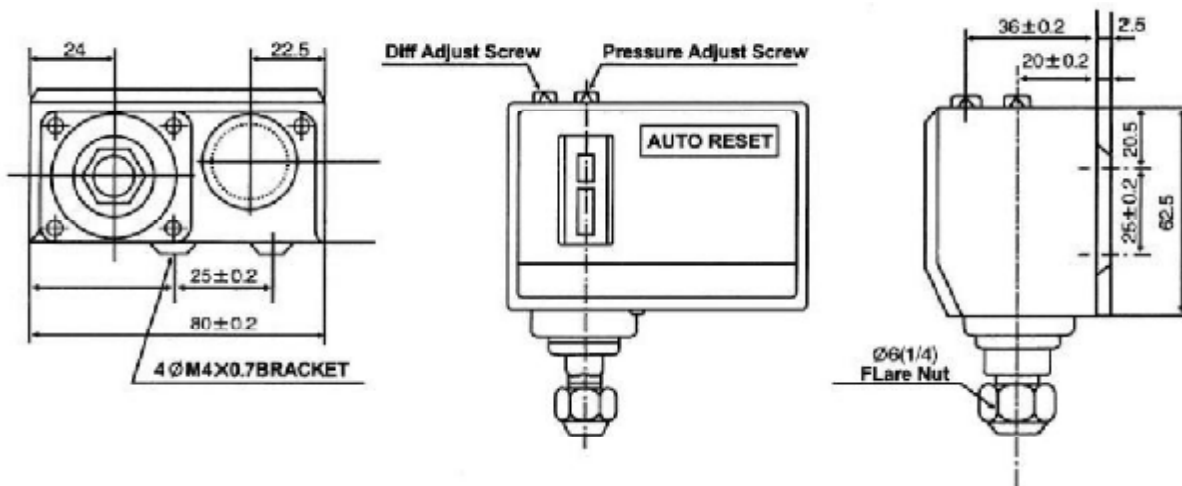
## Specification – Dual Pressure

Model	Low Pressure (bar)		High Pressure (bar)		Contact Reset System		Factory Setting (Low Pressure)		Factory Setting (High Pressure)	
	Range	Diff.	Range	Diff.	Low	High	OFF	ON	OFF	ON
<b>PK830</b>	-0.7~6	0.6~4	8~30	3~5 (Fixed)	Auto	Auto	3	2	20	15
<b>PK830H</b>	-0.7~6	0.6~4	8~30	≤ 5	Auto	Manual	3	2	20	Manual
<b>PK830D</b>	-0.7~6	0.6~4	8~30	≤ 5	Manual	Manual	3	Manual		Manual

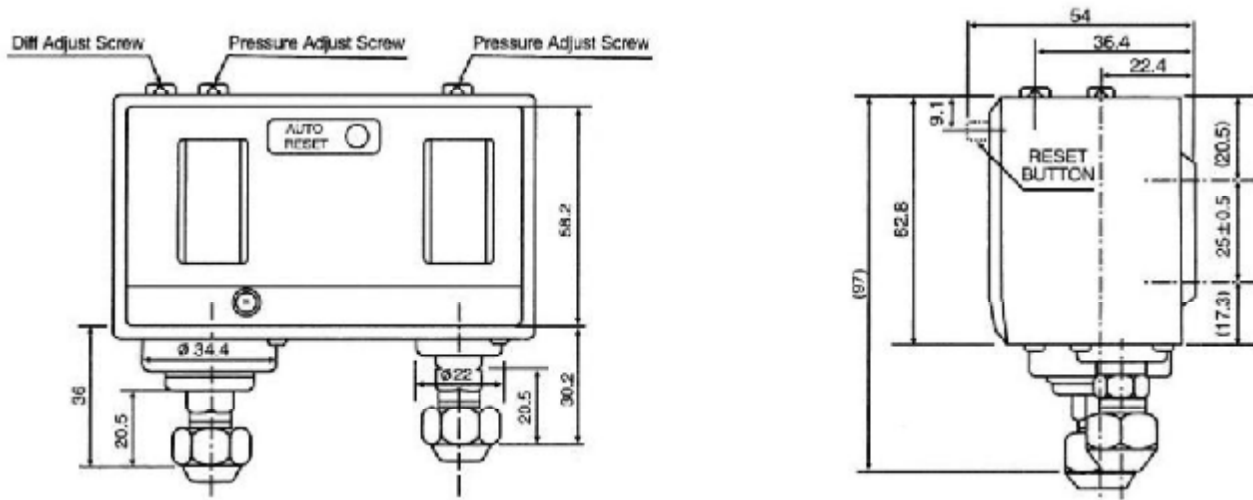
Note:

1. Pressure range could be changed in “Psig”, “MPa”, according to customer’s request.
2. 1/4” flare connection is standard, if any customized connection required, please add “E” to the end of model as SAE type connection, add “C” as solder connection, or “S” as capillary tube connection.
3. For ammonia system application, please add “B” to the end of the model number.
4. Max. bellows testing pressure: LP 16.5bar, HP 33bar.

Dimension:



Single Pressure Switch

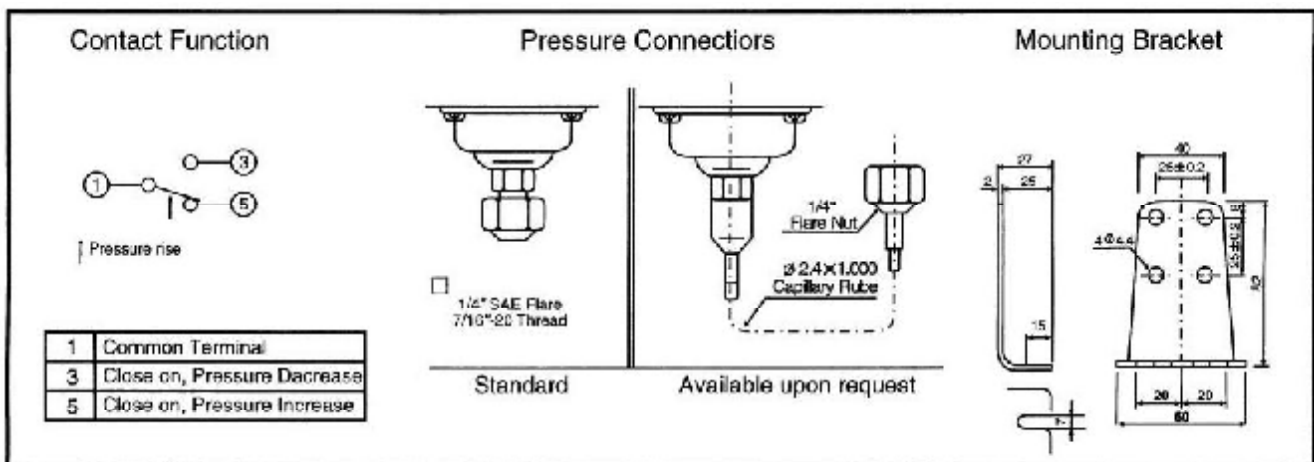


Dual Pressure Switch

Electric Rating

Rated Voltage(V)	Power Factor (cos φ)	125/250V, AC
Rated Amps.(A)		
Non-inductive Current	1	12
Inductive Current	Full Load	12
	Locked Rotor	72

Installation:



Single Pressure Switch