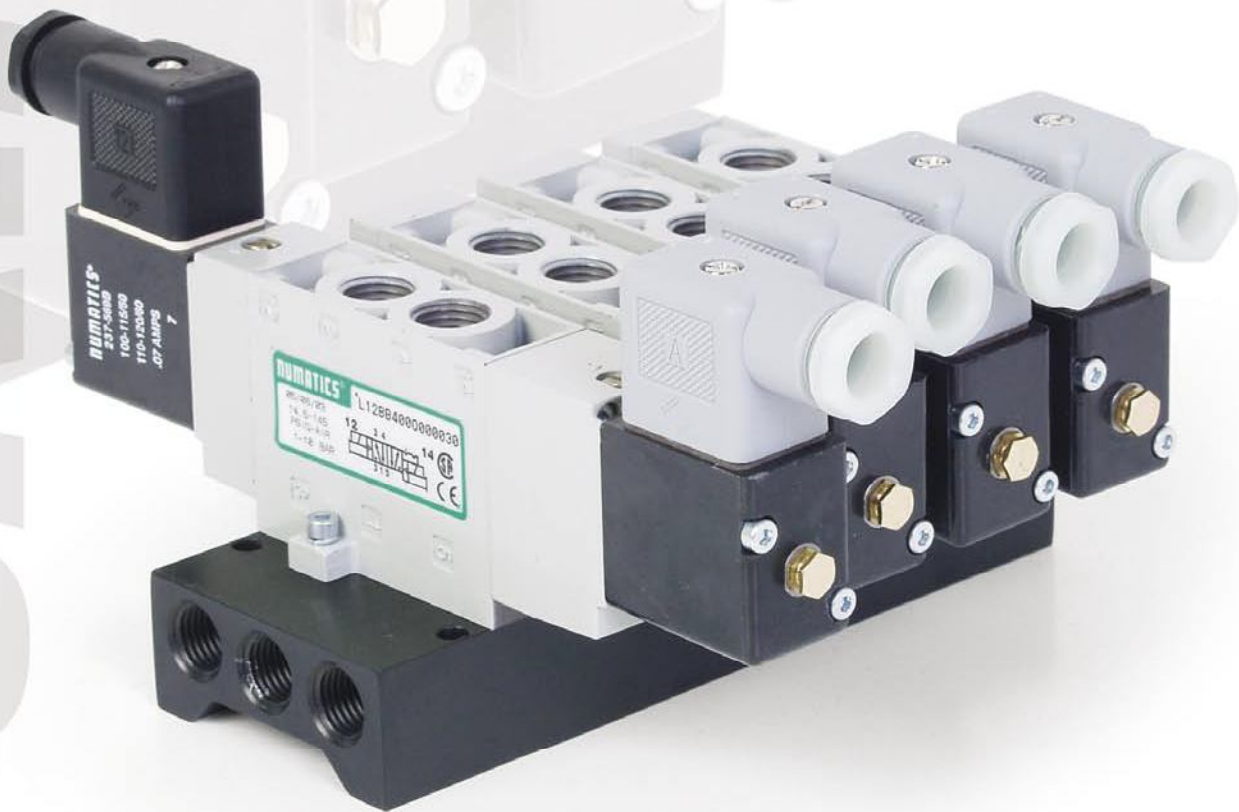


valves

L1 Series

Solenoid Pilot or Air Pilot Actuated Valves



numatics®

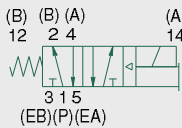
Table of Contents

numatics®

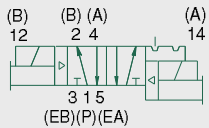
L1 Series	3-11
Technical and Operating Data.....	3-4
How to Order.....	5
Valve Dimensions	6-7
Manifold Assembly	8
Internal/External Pilot Selection	9
Blank Station Plate Kit.....	9
Adaptor Kit.....	9
Blocking Plug Kit.....	9
Solenoid Assemblies.....	9
Valve Service Kits and Parts.....	10-11



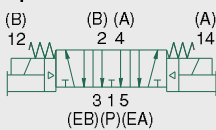
single solenoid pilot 2 position 4-way



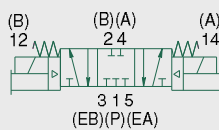
double solenoid pilot 2 position 4-way



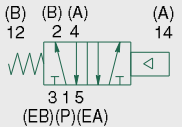
double solenoid pilot 3 position 4-way open center



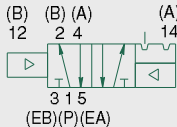
double solenoid pilot 3 position 4-way closed center



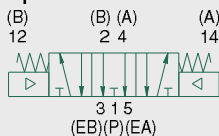
single air pilot 2 position 4-way



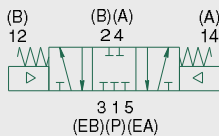
double air pilot 2 position 4-way



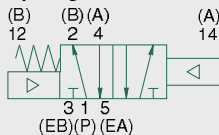
double air pilot 3 position 4-way open center



double air pilot 3-position 4-way closed center



double air pilot 2 position 4-way spring offset

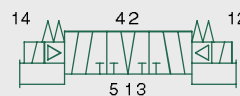


5 Ported, 2 and 3 position, 4-way, Spool & Sleeve
Cv: 1.0

- Solenoid pilot or air pilot actuated
- DIN plug-in solenoid and plug connector with indicator light
- Unlubricated or lubricated service
- In-line or manifold mounted



double solenoid pilot
3 Position 4-Way (5/3),
open to 4 (A) and
2 (B) in center



double air pilot
3 Position 4-Way (5/3),
open to 4 (A) and
2 (B) in center



Technical Data

VALVE DATA	ENGLISH		METRIC	
Cv	1/8 = 1.0	1/4 = 1.0	1/8 = 1.0	1/4 = 1.0
Flow capacity	46 SCFM upstream pressure to atmosphere @ 80 PSIG		985 NI/m @ 6 bar upstream/5 bar downstream	
Main Valve Operating Pressure Range	28" HG. Vacuum to 150 PSIG		Vacuum to 10 bar	
Pilot Pressure Range: Internal and External	14.5 to 150 PSIG		1 to 10 bar	
Temperature range: Solenoid Pilot (ambient)	-10°F to +115°F		-23°C to +46°C	
Temperature Range: Air Pilot (ambient)	-10°F to +150°F		-23°C to +66°C	



L1 Series

Operating Data

ALL SOLENOIDS ARE CONTINUOUS DUTY RATED		12 VDC	24 VDC	24 V AC 50 Hz	24 VAC 60 Hz	115 VAC 50 Hz	120 VAC 60 Hz	230 VAC 50 Hz	240 VAC 60 Hz
*Power (Watts)		3.5	3.5	4.8	3.3	4.8	4.0	5.0	3.5
Holding Current (Amps.)		0.30	0.15	0.380	0.280	0.064	0.054	0.030	0.023
Inrush Current (Amps.)		N/A	N/A	0.500	0.420	0.087	0.082	0.042	0.036
Energize in seconds	2-Position, Single, Spring Return	0.010	0.010	0.007	0.007	0.007	0.007	0.007	0.007
	2-Position, Double, Detented	0.010	0.010	0.007	0.007	0.007	0.007	0.007	0.007
	3-Position, Spring Centered	0.010	0.010	0.007	0.007	0.007	0.007	0.007	0.007
De-energize in seconds	2-Position, Single, Spring Return	0.035	0.035	0.035	0.035	0.035	0.035	0.035	0.035
	2-Position, Double, Detented	N/A	N/A	N/A	N/A	N/A	N/A	N/A	N/A
	3-Position, Spring Centered	0.030	0.035	0.035	0.035	0.035	0.035	0.035	0.035

*A 1.4 Watt DC solenoid is available. Add “17G” to the model number. **EXAMPLE:** L12BA400B017G61.
Maximum pilot pressure is reduced to 116 PSIG (8 bar).



How to Order

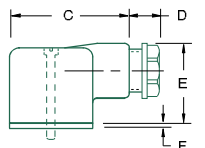
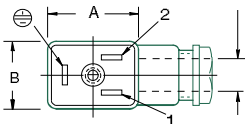
Valves **L12 PA 4 52 O 0 000 00**

<p>Valve Series & Port Size L11 = 1/8 L12 = 1/4</p> <p>Valve Type BA = Single Solenoid Pilot, Spring Return W/Flush Locking Override BB = Double Solenoid Pilot W/Flush Locking Override PA = Single Air Pilot w/Spring Return PP = Double Air Pilot PM = Double Air Pilot w/Spring Offset</p> <p>Function 4 = 2 Position, 4-Way 5 = 3 Position, 4-Way Open Center 6 = 3 Position, 4-Way Closed Center 7 = 3 Position 4-Way (5/3), Open to 4 (A) and 2 (B) in Center</p> <p>Mounting 00 = Valve Unit w/Manifold Mounting Tabs 52 = Line Mounted (Manifold Mount with Adapter)</p>	<p>Voltage 20 = 24/50-60 VAC 30 = 110-120/50-60 VAC 40 = 220-240/50-60 VAC 60 = 12 VDC 61 = 24 VDC 00 = N/A (Used with Air Pilot)</p> <p>Options 14A = External Pilot Supply 17G = Low Watt Solenoid 1.42 Watt 17P = Flush Non-locking Override 18D = Side Ports (see p. 6)</p> <p>Port Type O = NPTF G = G tap</p> <p>Wiring Option B = DIN Plug-In DC Solenoid O = DIN Plug-In AC Solenoid or Air Pilot</p>
-----------------------------------------------------------------------------------------------------------------------------------------------------------------------------------------------------------------------------------------------------------------------------------------------------------------------------------------------------------------------------------------------------------------------------------------------------------------------------------------------------------------------------------------------------------------------------------------------------------------------------------------------------------------------	---------------------------------------------------------------------------------------------------------------------------------------------------------------------------------------------------------------------------------------------------------------------------------------------------------------------------------------------------------------------------------------------------------------------------------------------------------------------------------------------------

NOTE: Plug connector is NOT included with DIN solenoid. Order plug-in connector assembly separately (see ordering information below)

Plug Connector Assemblies

Per DIN Spec. NO 43650. Accepts cable diameter 0.240 to 0.310
11mm Industry Standard DIN Form B



Normal Polarity
1 = (+) Positive, High
2 = (-) Negative, Neutral
⊖ = Chassis Ground

PLUG CONNECTOR DESCRIPTION	PART NO.
Grey (14 end solenoid) Plug Assembly	230-363
Black (12 end solenoid) Plug Assembly	230-364
Plug Assembly with 24 V Light	230-365
Plug Assembly with 110 V Light	230-366
Plug Assembly with 220 V Light	230-367

Dimensions

top dimensions = inches and bottom dimensions (in parenthesis) = millimeters

A	B	C	D	E	F
1.12 (28.5)	0.83 (21.1)	1.57 (39.9)	0.40 (10.2)	1.10 (27.9)	0.06 (1.5)

Manifold Assembly

AK 0 2 C 0000 2 N STD

Electrical/Electronics Type & Location
0 = Standard

Valve Line
2 = L1 Series

Number of Valve Stations
A = 1 E = 5 I = 9
B = 2 F = 6 J = 10
C = 3 G = 7 K = 11
D = 4 H = 8 L = 12

Options

A21 = Used with Valve Units with Manifold Mounting Tabs (valve mounting = 00)
STD = Used with Line Mounted Valves, Includes Adaptor Kits (valve mounting = 52)

Port Type
N = NPTF
G = G tap

End Plate Port Size
2 = 1/4

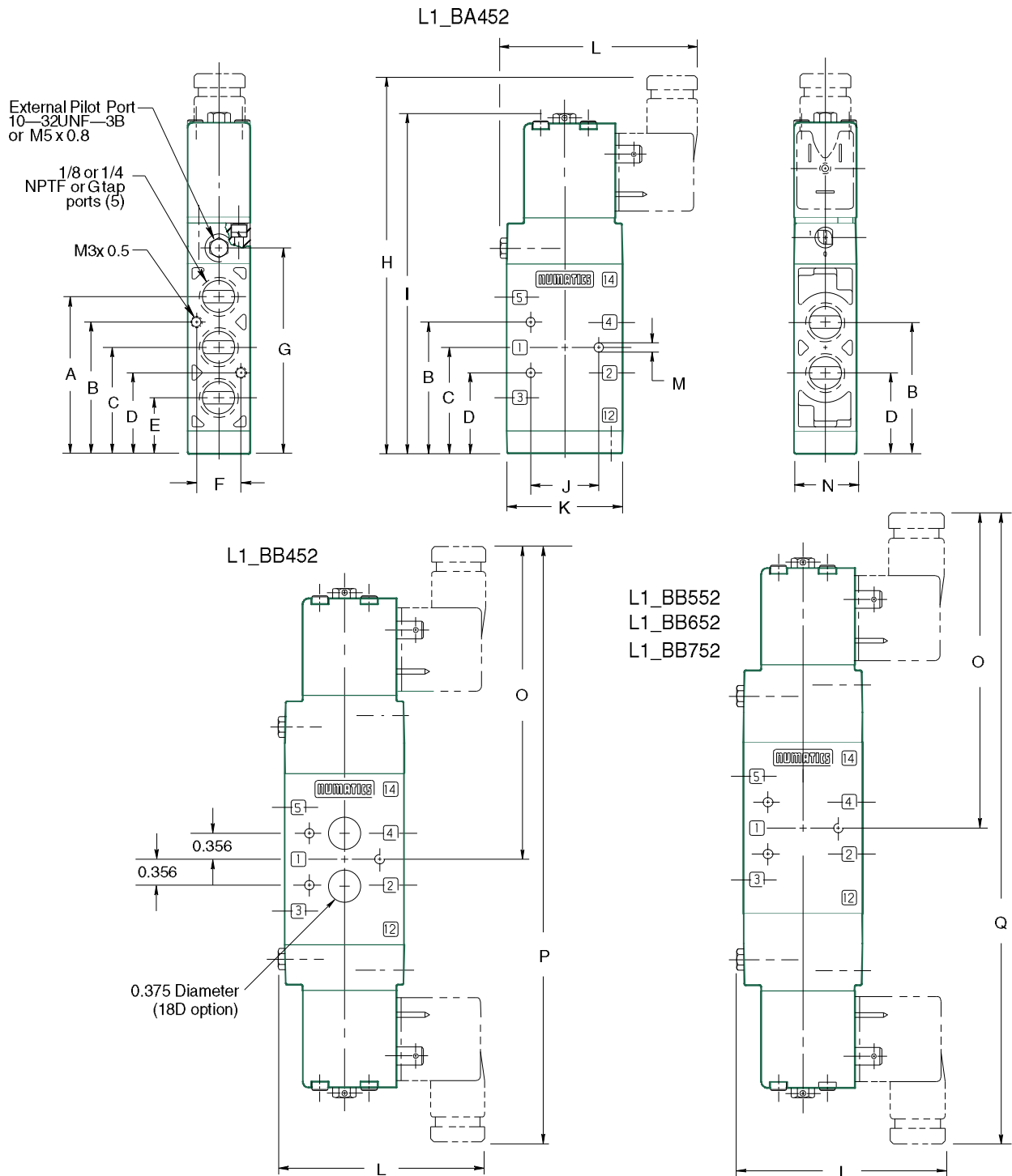
Example order:

Assembly Kit: AK02D00002NA21
Station 1: L12BB500O000030
Station 2: L12BA400O000030
Station 3: L12PP400O000000
Station 4: L12PA400O000000
 ASSEMBLED



L1 Series

Solenoid-Pilot Valve



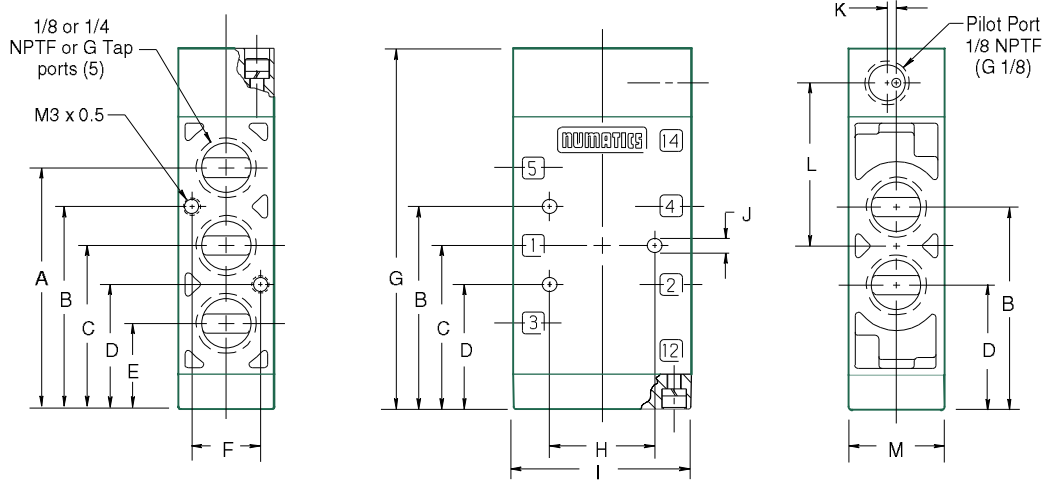
Dimensions

top dimensions = inches and bottom dimensions (in parenthesis) = millimeters

A	B	C	D	E	F	G	H	I	J	K	L	M	N	O	P	Q
2.21 (56.1)	1.85 (47.0)	1.50 (38.1)	1.14 (29.0)	0.78 (19.8)	0.62 (15.7)	2.90 (73.6)	5.41 (137.4)	4.85 (123.2)	0.96 (24.4)	1.62 (41.1)	2.77 (70.4)	0.13 (3.3)	0.88 (22.4)	4.32 (109.7)	8.23 (209.0)	8.64 (219.5)



Air-Pilot Valve L1_PA452

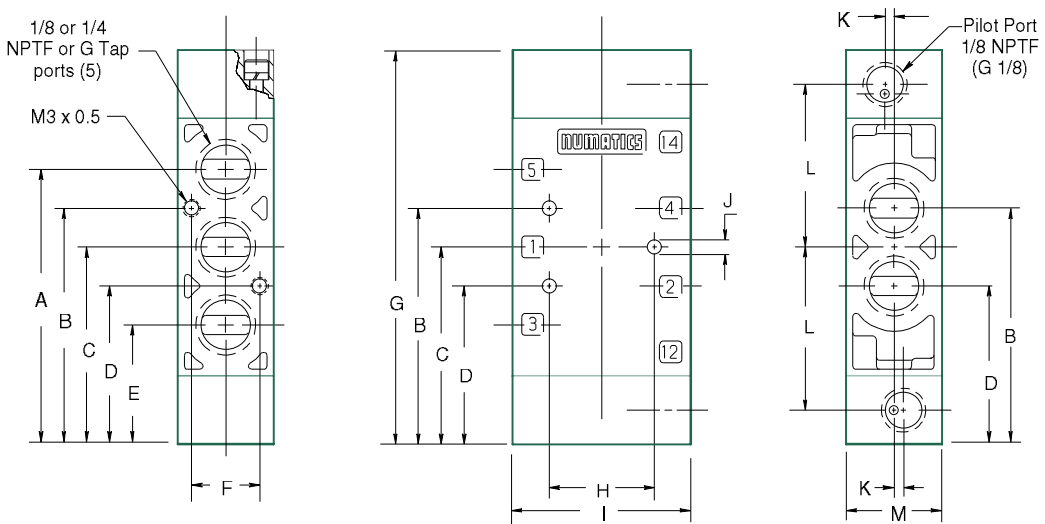


Dimensions

top dimensions = inches and bottom dimensions (in parenthesis) = millimeters

A	B	C	D	E	F	G	H	I	J	K	L	M
2.21 (56.1)	1.85 (47.0)	1.50 (38.1)	1.14 (29.0)	0.78 (19.8)	0.62 (15.7)	3.30 (83.8)	0.96 (24.4)	1.62 (41.1)	0.13 (3.3)	0.09 (2.2)	1.49 (37.9)	0.88 (22.4)

Air-Pilot Valve L1_PP452, L1_PP552, L1_PP652, L1_PP752, L1_PM452



Dimensions

top dimensions = inches and bottom dimensions (in parenthesis) = millimeters

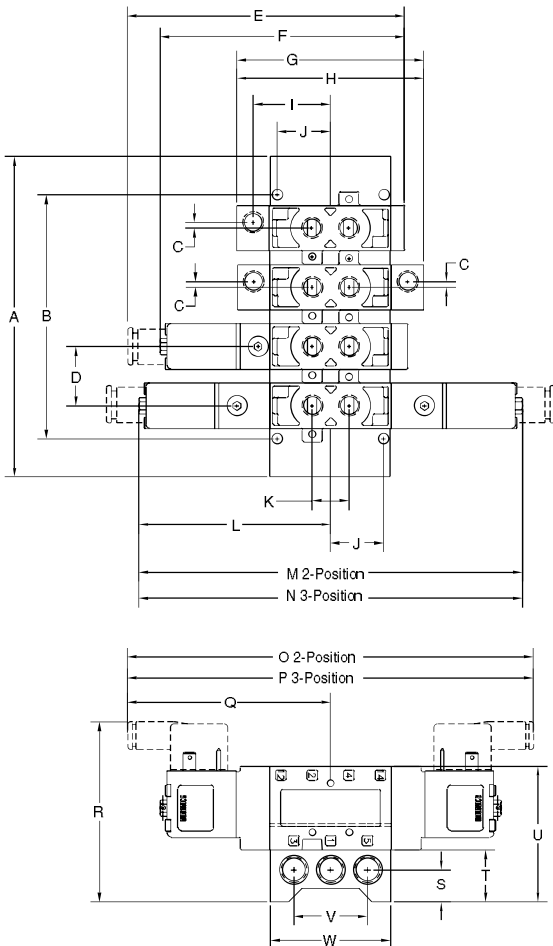
A	B	C	D	E	F	G	H	I	J	K	L	M
2.52 (64.0)	2.16 (54.9)	1.80 (45.7)	1.45 (36.8)	1.09 (27.7)	0.62 (15.7)	3.61 (91.6)	0.96 (24.4)	1.62 (41.1)	0.13 (3.3)	0.09 (2.2)	1.49 (37.9)	0.88 (22.4)



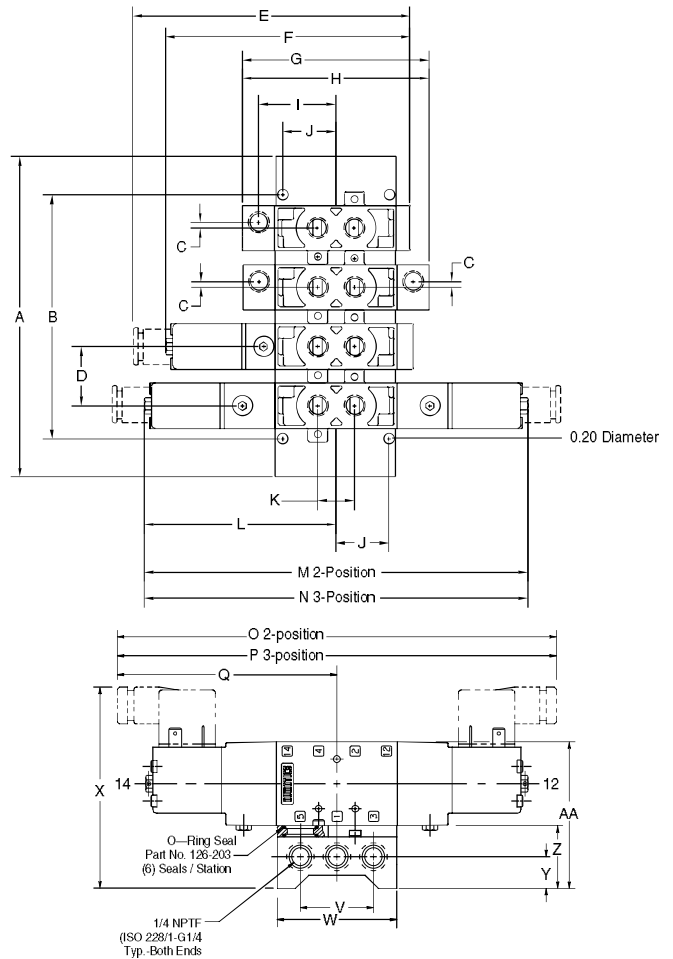
L1 Series

Manifold Assembly

Valve with Mounting Tabs



Valve with Adaptor Plate



Dimensions

top dimensions = inches and bottom dimensions (in parenthesis) = millimeters

A	B	C	D	E	F	G	H	I	J	K	L	M	N	O	P
See Below	See Below	0.09 (2.3)	1.14 (29.0)	5.36 (136.1)	4.81 (122.2)	3.61 (91.7)	1.80 (45.7)	1.49 (37.8)	1.031 (26.2)	0.71 (18.0)	3.71 (94.2)	7.03 (178.6)	7.45 (189.2)	8.14 (206.8)	8.55 (217.2)
Q	R	S	T	U	V	W	X	Y	Z	AA					
4.27 (108.5)	3.47 (88.1)	0.61 (15.5)	0.99 (25.1)	2.62 (66.5)	1.42 (36.1)	2.33 (59.2)	3.89 (98.8)	0.61 (15.5)	1.21 (30.7)	2.84 (72.1)					

# OF STATIONS	MANIFOLD KIT NO.		DIMENSIONS	
	1/4 NPTF	G 1/4	A	B
2 Stations	106-1063	106-1096	3.90 (99.1)	2.43 (61.7)
3 Stations	106-1064	106-1097	5.03 (127.8)	3.56 (90.4)
4 Stations	106-1065	106-1098	6.17 (156.7)	4.70 (119.4)
5 Stations	106-1066	106-1099	7.31 (185.7)	5.84 (148.3)
6 Stations	106-1067	106-1100	8.45 (214.6)	6.97 (177.0)
7 Stations	106-1068	106-1101	9.58 (243.3)	8.11 (206.0)

# OF STATIONS	MANIFOLD KIT NO.		DIMENSIONS	
	1/4 NPTF	G 1/4	A	B
8 Stations	106-1069	106-1102	10.72 (272.3)	9.25 (234.9)
19 Stations	106-1070	106-1103	11.86 (301.2)	10.38 (263.7)
10 Stations	106-1071	106-1104	12.99 (329.9)	11.52 (292.6)
11 Stations	106-1072	106-1105	14.13 (358.9)	12.66 (321.6)
12 Stations	106-1073	106-1106	15.27 (387.9)	13.80 (350.5)
Adaptor Kit	239-311	Order (1) adaptor kit for each station on the manifold Includes all seals and screw		



Internal / External Pilot Supply

INTERNAL
PILOT SUPPLY



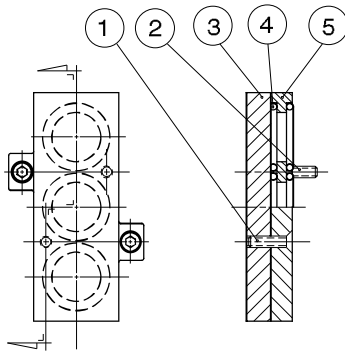
PILOT SUPPLY HOLE MUST
BE VISIBLE BOTH ENDS

EXTERNAL
PILOT SUPPLY



ROTATE GASKET TO COVER
PILOT SUPPLY HOLE.
REMOVE PIPE PLUG
(PART NO. 127-588)

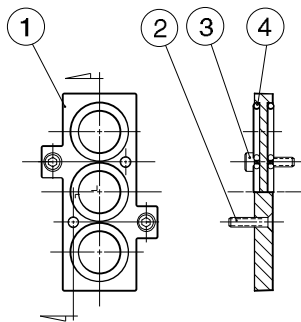
Blank Station Plate Kit 239-288



Parts List

DET. NO.	NO. REQ'D	PART NAME	PART NO.
1	2	Screw	127-622
2	2	Screw	127-570
3	1	Blank Station Plate	119-352
4	6	O-Ring	126-203
5	1	Adaptor	119-353

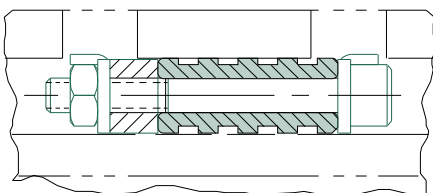
Adaptor Kit 239-311



Parts List

DET. NO.	NO. REQ'D	PART NAME	PART NO.
1	1	Adaptor	119-353
2	2	Screw	127-622
3	2	Screw	127-570
4	6	O-Ring	126-203

Blocking Plug Kit 239-309



Solenoid Assemblies

STANDARD VOLTAGES	100-115/50 115-120/60 VAC	200-240/50 220-240/60 VAC	24/50-60 VAC	12 VDC	24 VDC
Part No.	237-569	237-570	237-568	226-737	226-749



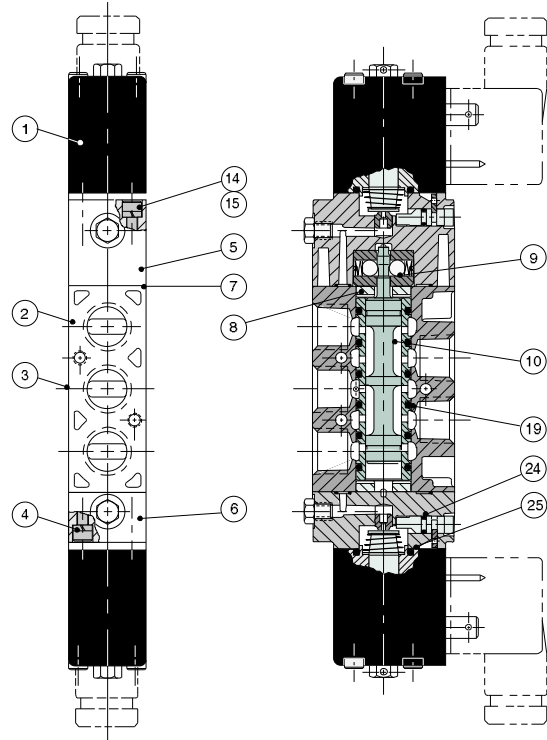
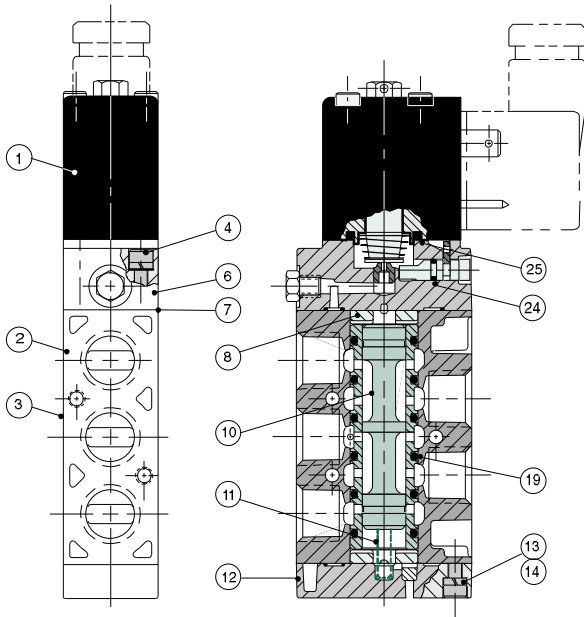
L1 Series

Valve Service Kits and Parts – 2 Position

Solenoid-Pilot Actuated

Kit No. L1-K1 (For Models L11BA4, L12BA4)

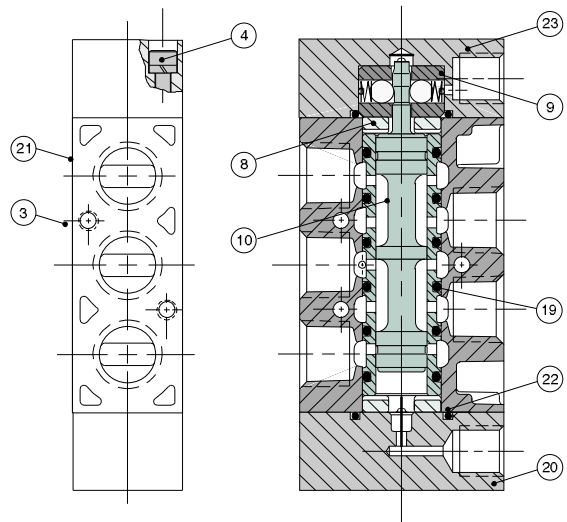
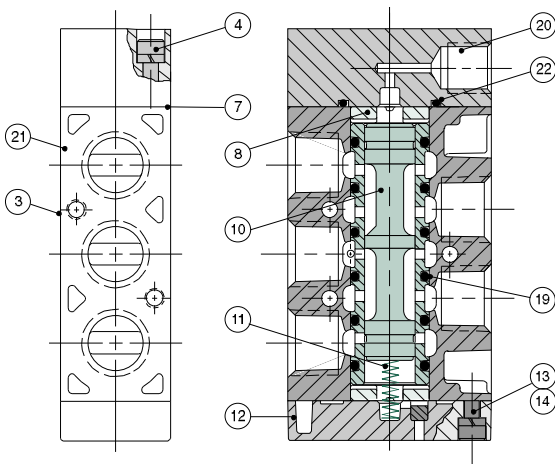
Kit No. L1-K2 (For Models L11BB4, L12BB4)



Air-Pilot Actuated

Kit No. L1-K1 (For Models L11PA4, L12PA4
L11PM4, L12PM4)

Kit No. L1-K2 (For Models L11PP4, L12PP4)

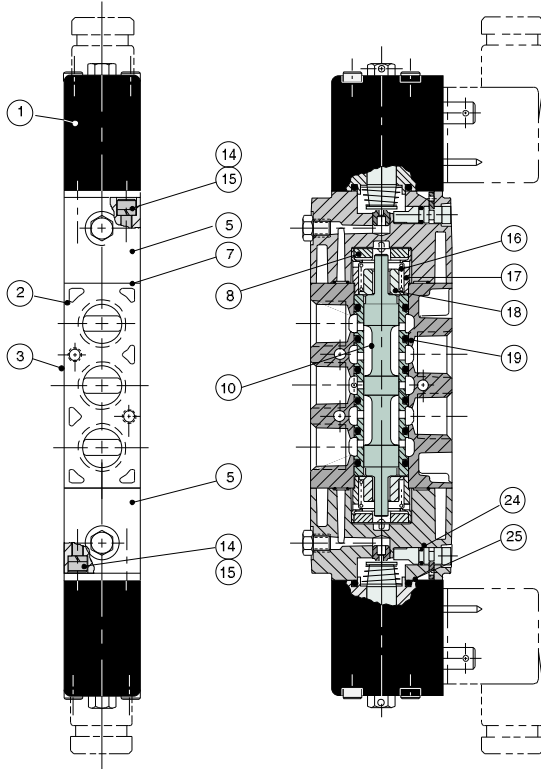




Valve Service Kits and Parts – 3 Position

Solenoid-Pilot Actuated

Kit No. L1-K3 (For Models L1-BB5, L1-BB6, L1-BB7)



Parts List

DET. NO.	NO. REQ'D	PART NAME	PART NO.
1	1	Solenoid Capsule Assembly	See p. 9
2	1	Solenoid-Pilot Body (not sold separately)	
3	1	Nameplate	122-943
4	2	Screw Assembly	127-392
5		Adaptor Assembly	219-175
6	1	Adaptor Assembly	219-177
7 *	2	Gasket	113-401
8 *	2	Bumper	114-172
9 **	1	Detented Assembly	210-118
10	1	Sleeve Assembly w/Seals for models: L1-BA4, L1PA4 L1-BB4, L1PP4 L1-BB5, L1PP5 L1-BB6, L1PP6 L1-BB7, L1PP7	209-377 209-378 209-379 209-380 209-381
11	1	Spring	115-293
12	1	Spring Cover Assembly	204-469
13	2	Screw	127-564
14		Lockwasher	128-239
15	2	Screw	127-563
16***	2	Spring	115-225
17***	2	Spacer	116-398
18	2	Spring Retainer	116-399
19*	6	O-Ring Seal	126-202
20	1	Pilot Cap	104-411
21	1	Air-Pilot Body (not sold separately)	
22*		O-Ring Seal	126-205
23		Pilot Cap	104-413
24*	2	Seal (override)	126-203
25*	2	Seal (solenoid pilot)	126-163

* indicates parts in L1-K1, L1-K2, and L1-K3
 ** indicates part in L1-K2 only
 *** indicates part in L1-K3 only

Air-Pilot Actuated

Kit No. L1-K3 (For Models L1-PP5, L1-PP6, L1-PP7)

